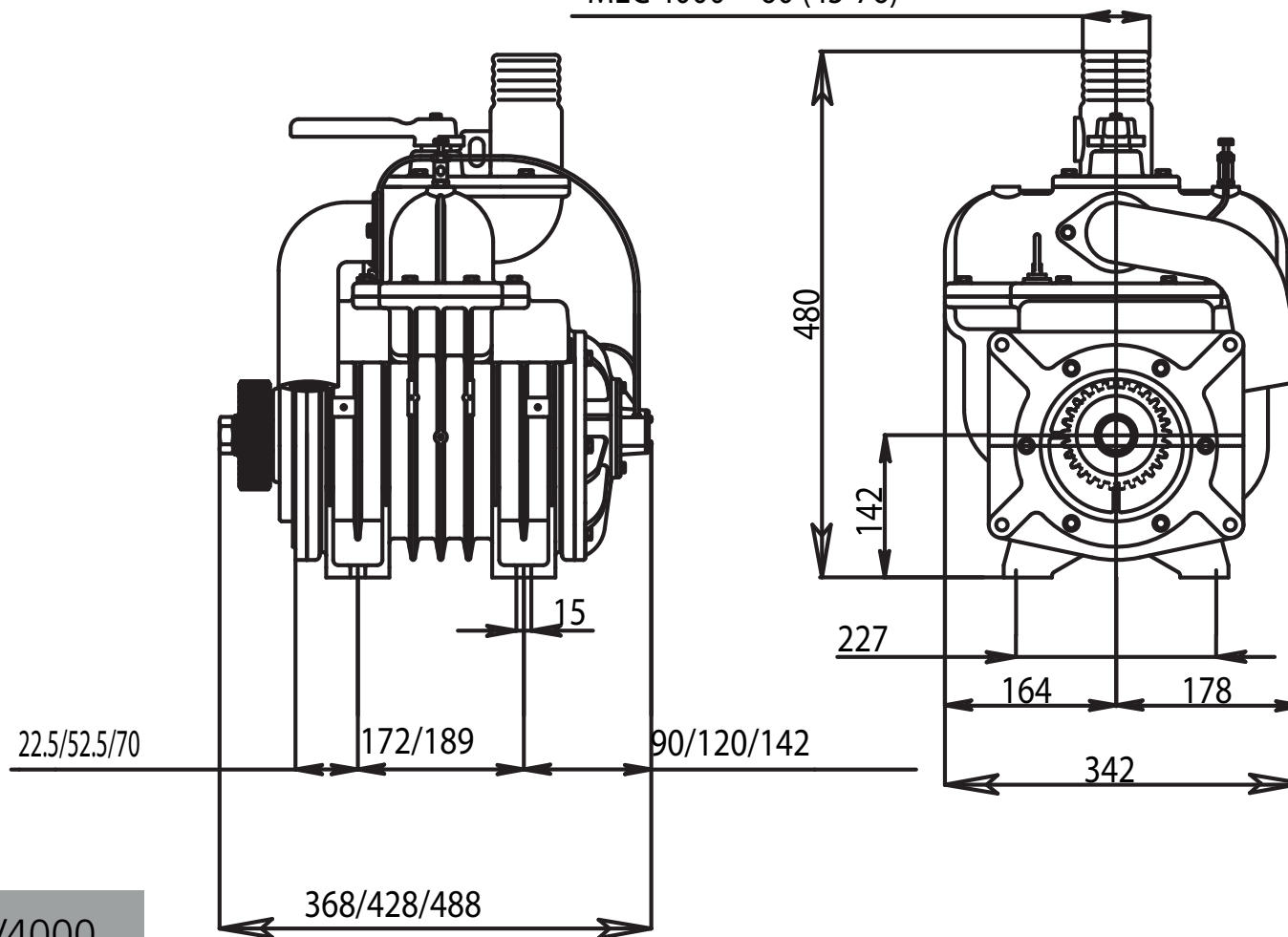




MEC 2000 = 45 (60-76)

MEC 3000 = 60 (45-76)

MEC 4000 = 60 (45-76)



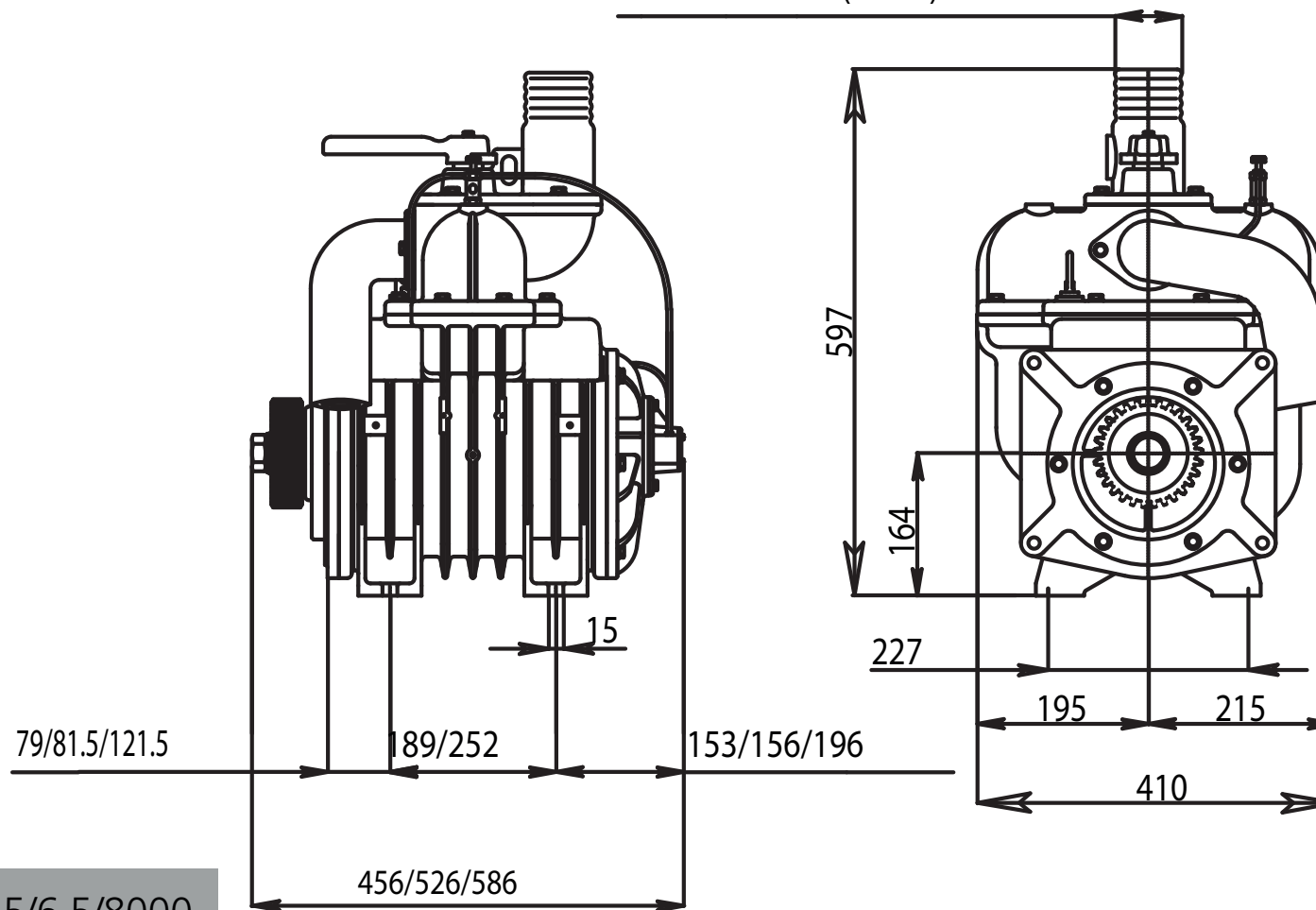
MEC 2/3/4000



MEC 5000 = 60 (76-80)

MEC 6500 = 60 (76-80)

MEC 8000 = 80 (60-76)



MEC 5/6.5/8000